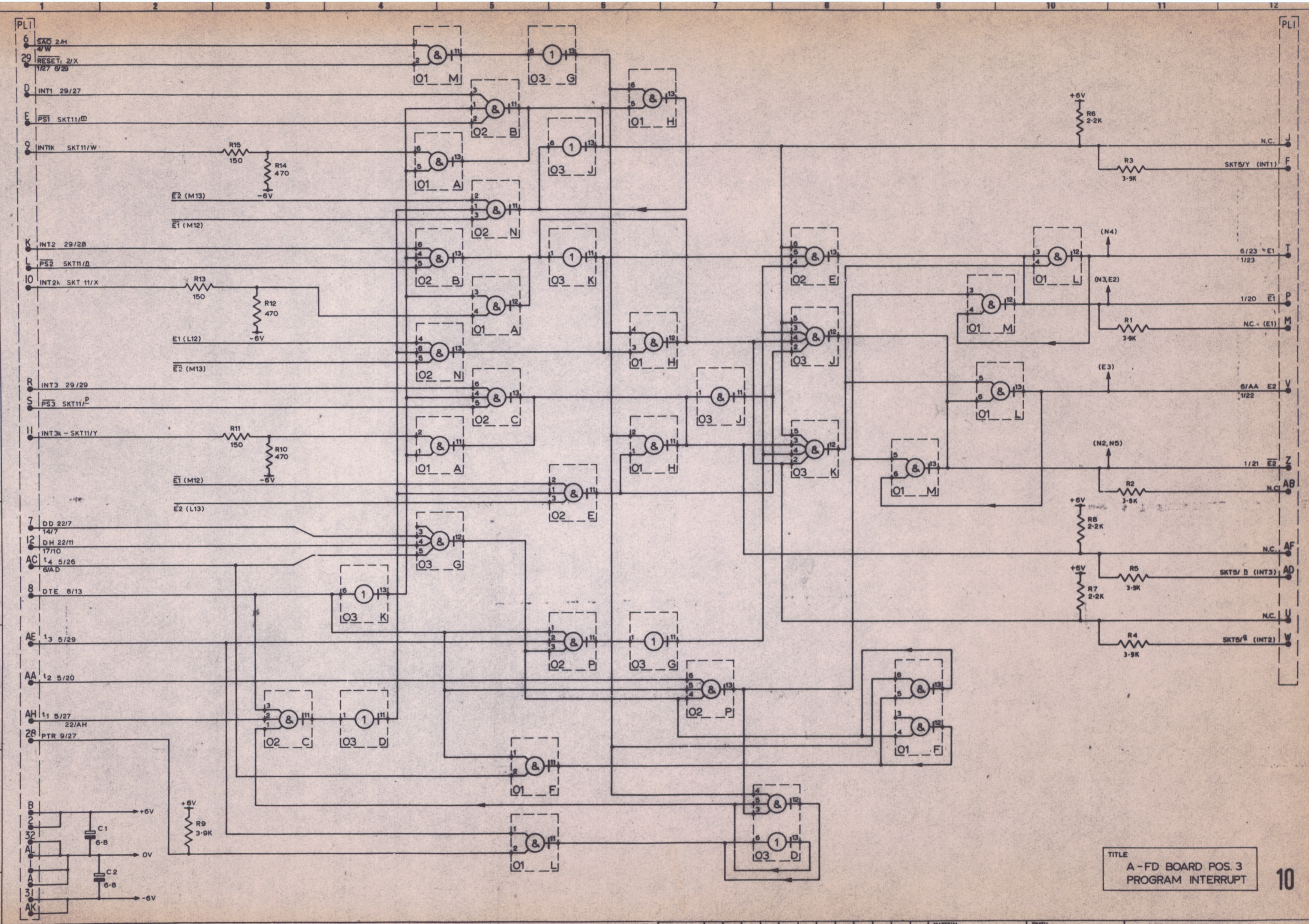


USED ON
C4021



TITLE
A - FD BOARD POS. 3
PROGRAM INTERRUPT

10

LATEST MI INCORPORATED: MI 2973 **2998**

ISSUE No.	4	5					MATERIAL	FINISH	ELLIOTT BROTHERS (LONDON) LTD	
ALT# No.	1749	1562								
DATE	25.11.66									
INITIALS	G.P.	G.S.								
PARTS LIST No.										
<small>© Elliott Brothers (London) Limited This drawing is the property of Elliott Brothers (London) Limited and may not be copied, used or disclosed for any purpose except as authorized in writing by Elliott Brothers (London) Limited.</small>							<small>TOLERANCES DIMENSIONAL & FRACTIONAL & ANGULAR DIMENSIONS & UNLESS OTHERWISE STATED</small>		<small>TITLE</small> A - FD BOARD POS. 3 PROGRAM INTERRUPT	<small>SCALE</small> 322 D 5194